

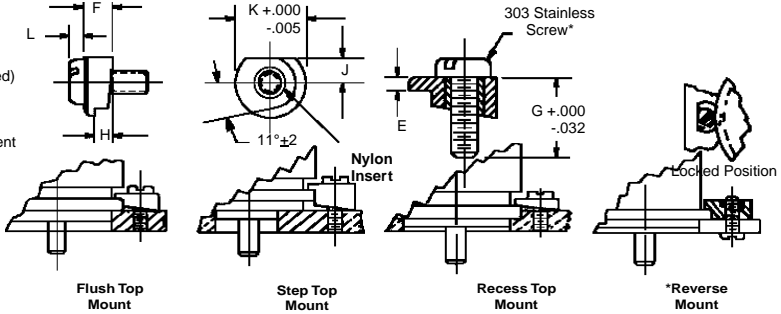
Syncro Mount Clamps

316 Stainless Steel (Sintered) with Nylon Insert

*(Screws not Supplied)

- Quick Releasing
- Faster Nulling of Clamped Component
- Self Locking

Meets:
ASTM B525 - Clamp
ASTM B4066 - Insert



*303 Stainless Steel slotted pan head screw supplied (except reverse mount.) Philips pan head screw (ML.STD.) available upon request.

STOCK NUMBER	MOUNT STYLE	+ .003 H	REF J	+ .003 E	REF F	G	SCREW SIZE	± .000 .005 K	L MAX	BOLT CIRCLE FOR CLEATS
										USE THE LARGER OF THE FOLLOWING TWO BOLT CIRCLES
SQ-1 SQ-2 SQ-3 SQ-4 SQ-5	TOP	.031 .047 .062 .093 .125	.091	.040 .040 .040 .040 .040	.071 .087 .102 .133 .165	1/4 1/4 5/16 5/16	#2-56	.265	.053	ADD .192" TO MAX FLANGE DIA., OR ADD .275" TO MAX GROOVE BASE DIA.
SQ-6 SQ-7 SQ-8 SQ-9 SQ-10 SQ-11 SQ-12 SQ-13 SQ-14 SQ-15 SQ-16 SQ-17	TOP	.031 .062 .062 .078 .093 .093 .093 .125 .156 .225 .250	.125	.040 .040 .050 .063 .040 .050 .063 .050 .040 .063 .063	.071 .102 .112 .125 .141 .133 .143 .156 .175 .196 .288 .312	5/16 5/16 3/8 3/8 3/8 3/8 3/8 3/8 3/8 7/16 5/8	#4-40	.390	.068	ADD .270" TO MAX FLANGE DIA., OR ADD .400" TO MAX GROOVE BASE DIA.
SQ-18	TOP	.250 +.005	.187	.187 +.005	.437	7/8	#10-32	.625 +.000	.110 -.010	ADD .406" TO MAX FLANGE DIA., OR ADD .630" TO MAX GROOVE BASE DIA.
SQ-19 SQ-20 SQ-26	REVERSE	.062 .093 .125	.125	.063 .063 .063	.125 .156 .187	— — —	*#4-40	.390	— — —	ADD .270" TO MAX FLANGE DIA., OR ADD .400" TO GROOVE BASE DIA.

F
21