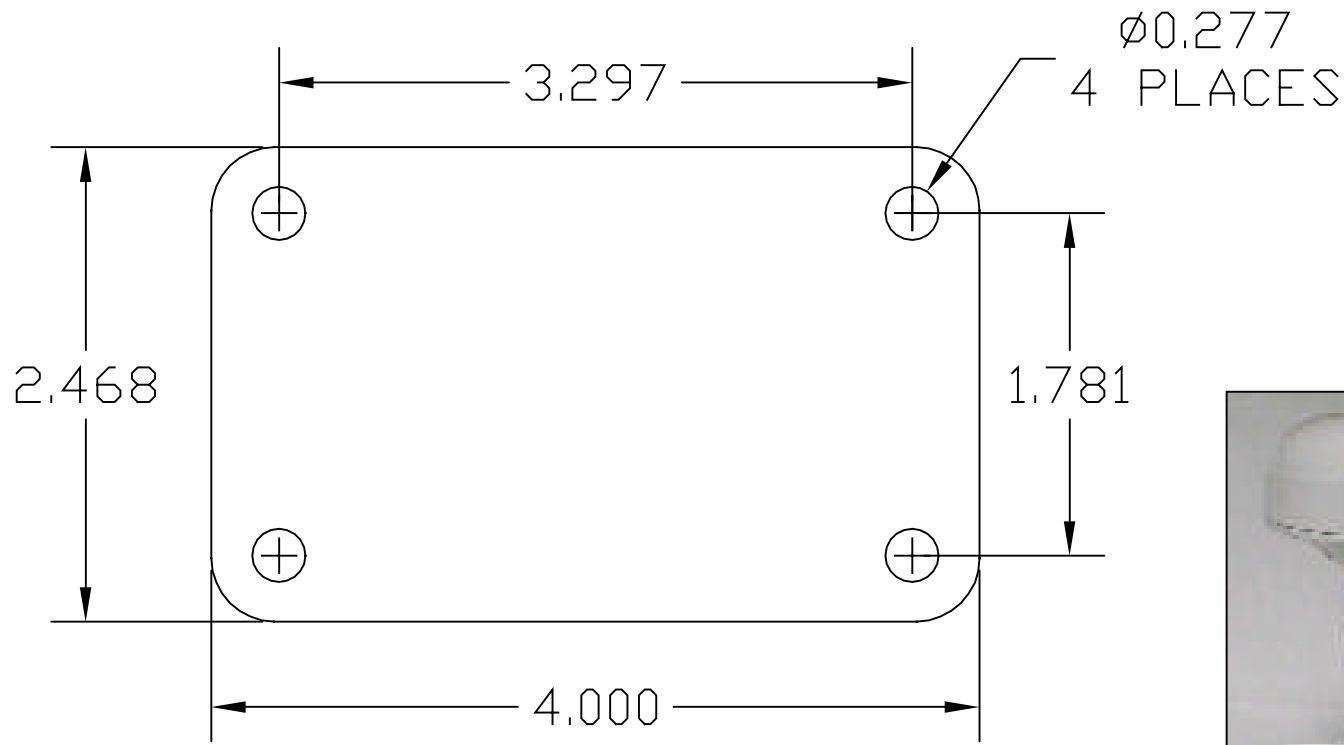
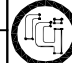


REVISIONS			
REV	DATE	DESCRIPTION	APPROVED
A	1-20-03	RELEASED DRAWING	LBM



RACHET MOUNT ALLOWS  
 +/- 90 DEGREE ADJUSTMENT  
 OF GPS ANTENNA

MATERIAL		 Research Concepts, Inc.		
TOLERANCE		TITLE GPS MNTG BRACKET DRILL PATTERN		
FINISH		SIZE A	DRAWN BY LBM	DWG NO. Z-GPS-MOUNT1
FILENAME Z_GPS_MOUNT1.DWG		SCALE 1:1		REV A
				SHEET 1 OF 1