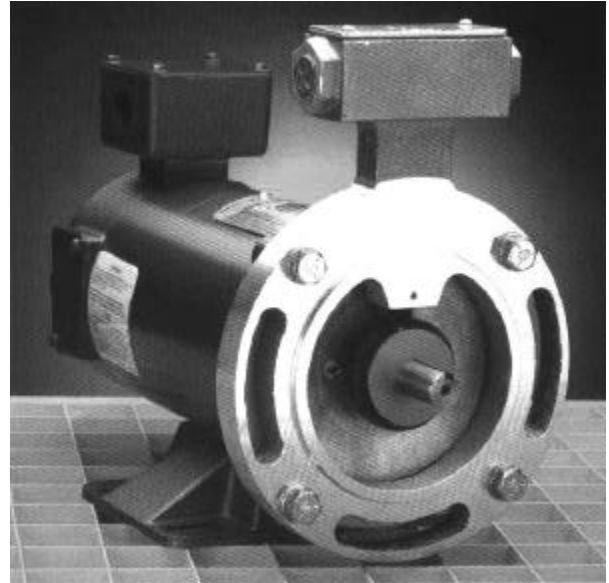


DIGITAL TACHOMETER SENSOR KITS

POWER/MATION

W238 N1690 Rockwood Drive
 Waukesha, WI 53188
 Phone: (414) 523-0600
 800-242-2060
 Fax: (414) 523-0611



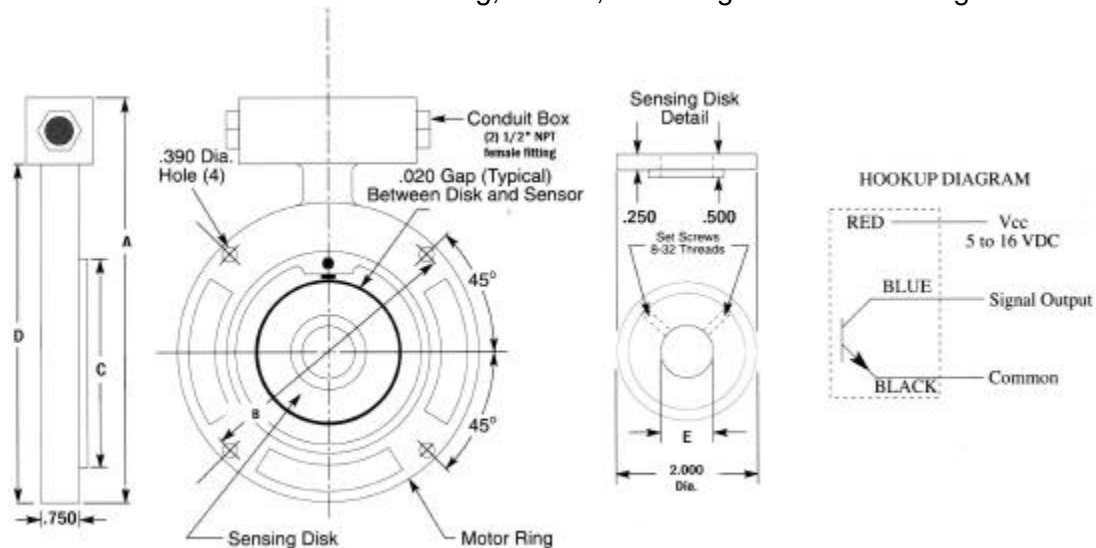
SPECIFICATIONS

INPUT: 5-16 VDC
OUTPUT: NPN, 20ma
TEMPERATURE: Minus 40°F to plus 225°F
OUTPUT CONNECTION: Three Wire
PULSES PER REVOLUTION (ppr): 1 *
WAVE FORM: Square Wave
ENVIRONMENT: Impervious to dust, oil & water
 * 2, 15 & 60 ppr models are available

ORDERING CHART

MOTOR FRAME SIZE	KIT MODEL NUMBER	DIMENSIONS				
		A	B	C	D	E
56C	DTK-056 M1	9.375	5.875	4.500	7.875	5/8"
143TC, 145TC, 182C & 184C	DTK-184 M1	9.375	5.875	4.500	7.875	7/8"
182TC, 184TC, 213C, 215C & 254C	DTK-215 M1	12.312	7.250	8.500	10.000	1-1/8"
213TC, 215TC, 254UC & 256UC	DTK-254 M1	12.312	7.250	8.500	10.000	1-3/8"
254TC & 256TC	DTK-256 M1	12.312	7.250	8.500	10.000	1-5/8"

NOTE: Kits consist of motor face ring, sensor, mounting bolts and sensing wheel.



NOTE: To interface sensor to controller, use a shielded triple (18-22 AWG) with bare drain wire, such as Belden 8772.